

## 10GBASE-T Copper SFP+ Transceiver

### NM-280-RJ45

## 1. Features

- Support 10Gbase-T / 5Gbase-T / 2.5Gbase-T / 1000base-T
- Hot-pluggable SFP footprint
- Compact RJ-45 connector assembly
- RoHS compliant and lead-free
- Single +3.3V power supply
- 10 Gigabit Ethernet over Cat 6a cable
- Ambient Operating temperature: 0°C to +65°C



## 2. Description

NEME'S NM-280-RJ45 Small Form Pluggable (SFP) transceivers are based on the SFP Multi Source Agreement (MSA) . They are compatible with the 10Gbase-T / 5Gbase-T / 2.5Gbase-T / 1000base-T standards as specified in IEEE Std 802.3 . NM-280-RJ45 uses the SFP's RX\_LOS(must be pulled up on host) pin for link indication. If pull up or open SFP's TX\_DISABLE pin, PHY IC be reset.

### 3. Performance Specifications

#### 3.1. 3.3V Volt Electrical Power Interface

The NM-280-RJ45 has an input voltage range of 3.3 V +/- 5%. The 4V maximum voltage is not allowed for continuous operation.

*Table.1 3.3V Volt Electrical Power Interface*

Parameter	Symbol	Min	Typ	Max	unit	Notes/Conditions
Supply Current	I <sub>s</sub>		320	375	mA	1.2W max power over full range of voltage and temperature. See caution note below
Input Voltage	V <sub>cc</sub>	3.13	3.3	3.47	V	Referenced to GND
Maximum Voltage	V <sub>max</sub>			4	V	
Surge Current	I <sub>surge</sub>			30	mA	Hot plug above steady state current. See caution note below

**Caution: Power consumption and surge current are higher than the specified values in the SFP MSA**

#### 3.2. Low-Speed Signals

MOD\_DEF(1) (SCL) and MOD\_DEF(2) (SDA), are open drain CMOS signals (see section VII, "Serial Communication Protocol"). Both MOD\_DEF(1) and MOD\_DEF(2) must be pulled up to host\_Vcc

*Table.2 Low-Speed Signals, Electronic Characteristics*

Parameter	Symbol	Min	Max	unit	Notes/Conditions
SFP Output LOW	VOL	0	0.5	V	4.7k to 10k pull-up to host_Vcc, measured at host side of connector
SFP Output HIGH	VOH	host_Vcc - 0.5	host_Vcc + 0.3	V	4.7k to 10k pull-up to host_Vcc, measured at host side of connector
SFP Input LOW	VIL	0	0.8	V	4.7k to 10k pull-up to Vcc, measured at SFP side of connector
SFP Input HIGH	VIH	2	Vcc + 0.3	V	4.7k to 10k pull-up to Vcc, measured at SFP side of connector

#### 3.3. High-Speed Electrical Interface

All high-speed signals are AC-coupled internally.

*Table.3 High-Speed Electrical Interface, Transmission Line-SFP*

Parameter	Symbol	Min	Typ	Max	unit	Notes/Conditions
Line Frequency	f <sub>L</sub>		125		MHz	5-level encoding, per IEEE 802.3
Tx Output Impedance	Z <sub>out,TX</sub>		100		Ohm	Differential, for all frequencies between 1MHz and 125MHz
Rx Input Impedance	Z <sub>in,RX</sub>		100		Ohm	Differential, for all frequencies between

Shenzhen NEM Engine Technology Co., Ltd.

Tel: 0755-86005636

Fax: 0086-0755-86152561

E-mail: [info@nemengine.com](mailto:info@nemengine.com)

Web: [www.nemengine.com](http://www.nemengine.com)

						1MHz and 125MHz
--	--	--	--	--	--	-----------------

**Table.4 High-Speed Electrical Interface, Host-SFP**

Parameter	Symbol	Min	Typ	Max	unit	Notes/Conditions
Single ended data input swing	Vinsing	250		1200	mV	Single ended
Single ended data output swing	Voutsing	350		800	mV	Single ended
Rise/Fall Time	Tr,Tf		175		psec	20%-80%
Tx Input Impedance	Zin		50		Ohm	Single ended
Rx Output Impedance	Zout		50		Ohm	Single ended

### 3.4. General Specifications

**Table.5 General**

Parameter	Symbol	Min	Typ	Max	unit	Notes/Conditions
Data Rate	BR	10		1000	Mb/sec	IEEE 802.3 compatible. See Notes 2 through 4 below
Cable Length	L			30	m	Category 5 UTP. BER

**Notes:**

1. Clock tolerance is +/- 50 ppm
2. By default, the ECFY-SFP-T12-02-2 is a full duplex device in preferred master mode
3. Automatic crossover detection is enabled. External crossover cable is not required
4. 10/100/1000 BASE-T operation requires the host system to have an SGMII interface with no clocks.

### 3.5. Environmental Specifications

**Table.6 Environmental Specifications**

Parameter	Symbol	Min	Typ	Max	unit	Notes/Conditions
Case Operating Temperature	Tcase	0		70	°C	ECFY-SFP-T12-02-2
		-10		80	°C	ECFY-SFP-T12-02-2E
		-40		85	°C	ECFY-SFP-T12-02-2A
Storage Temperature	Tsto	-40		85	°C	Ambient temperature

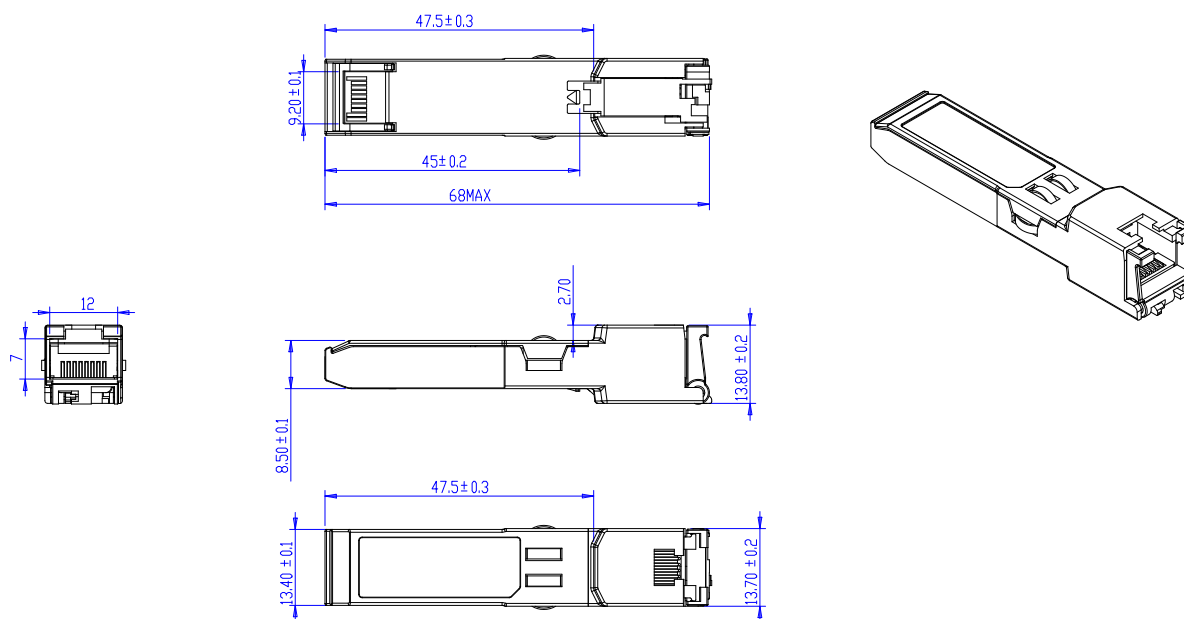
### 3.6. Serial Communication Protocol

NM-130-RJ45 support the 2-wire serial communication protocol outlined in the SFP MSA. It uses an Atmel AT24C02B 256 byte EEPROM with an address of A0h.

*Table.7 Serial Bus Timing Requirements*

Parameter	Symbol	Min	Typ	Max	unit	Notes/Conditions
I 2C Clock Rate		0		100,000	Hz	

### 3.7. Mechanical Specifications (Unit:mm)



### 3.8. Pin Definitions

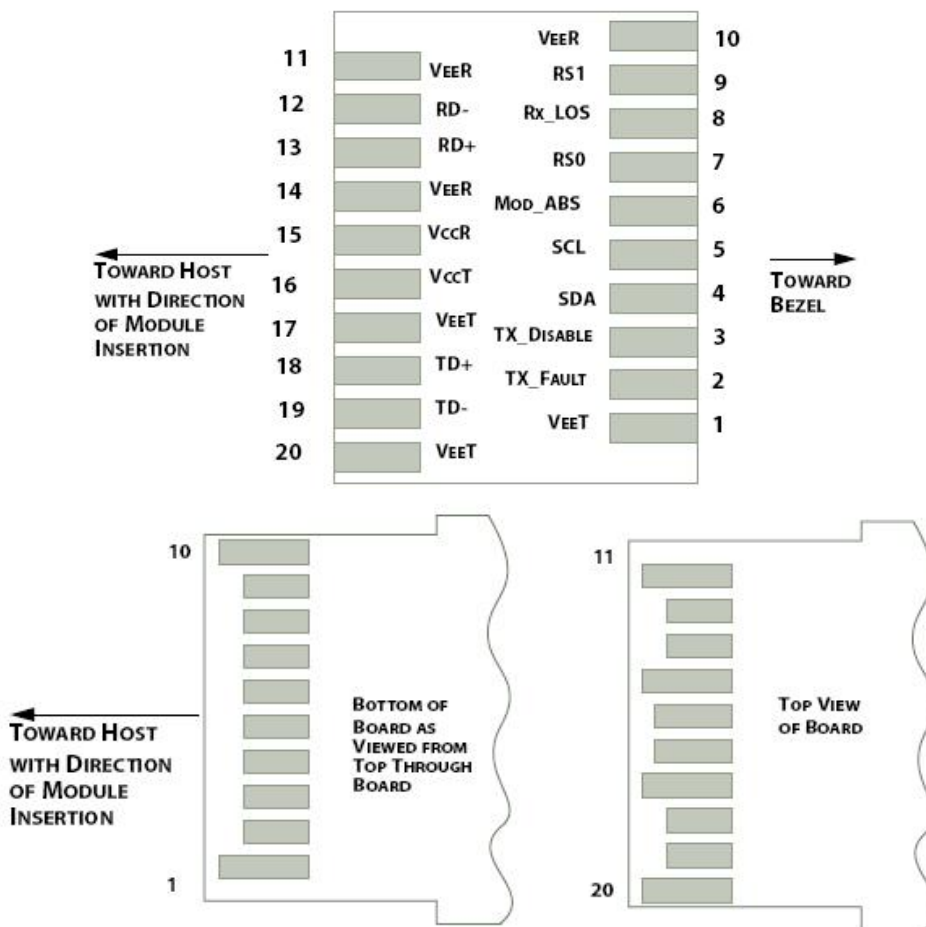


Table.8 Pin Definitions

PIN	Symbol	Description	Remarks
1	V <sub>EE</sub> T	Transmitter ground (common with receiver ground)	Circuit ground is isolated from chassis ground
2	Tx_Fault	Transmitter Fault. Not supported	
3	Tx_Disable	Transmitter Disable. Laser output disable on high or open	Disabled: TDIS>2V or open Enabled: TDIS<0.8V
4	SDA	2-wire Serial Interface Data Line	Should Be pulled up with 4.7k – 10k ohm on host board to a voltage between 2V and 3.6V
5	SCL	2-wire Serial Interface Clock Line	
6	MOD_ABS	Module Absent. Grounded within the module.	
7	RS0	No connection required	
8	RX_LOS	Loss of Signal indication. Logic 0 indicates normal operation	LOS is open collector output
9	RS1	No connection required	
10	V <sub>EE</sub> R	Receiver ground (common with transmitter ground)	Circuit ground is isolated from chassis ground
11	V <sub>EE</sub> R	Receiver ground (common with transmitter ground)	
12	RD-	Receiver Inverted DATA out. AC coupled	
13	RD+	Receiver Non-inverted DATA out. AC coupled	

14	V <sub>EE</sub> R	Receiver ground (common with transmitter ground)	Circuit ground is isolated from chassis ground
15	V <sub>CC</sub> R	Receiver power supply	
16	V <sub>CC</sub> T	Transmitter power supply	
17	V <sub>EE</sub> T	Transmitter ground (common with receiver ground)	Circuit ground is isolated from chassis ground
18	TD+	Transmitter Non-Inverted DATA in. AC coupled	
19	TD-	Transmitter Inverted DATA in. AC coupled	
20	V <sub>EE</sub> T	Transmitter ground (common with receiver ground)	Circuit ground is isolated from chassis ground

## 4. Application Cautions

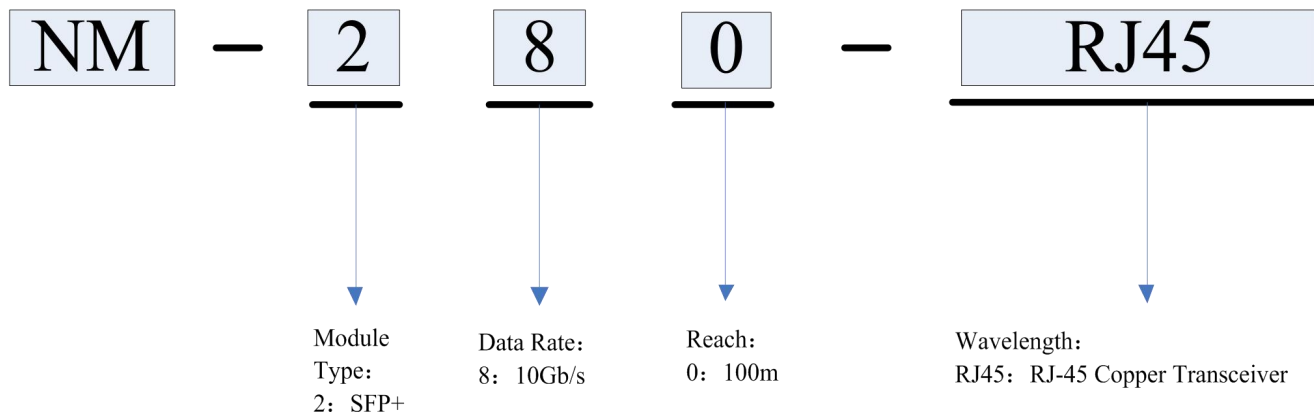
### 4.1. ESD

This transceiver is specified as ESD threshold 1kV for high speed pins and 2kV for all other electrical input pins, tested per MIL-STD-883, Method 3015.4 /JESD22-A114-A (HBM). However, normal ESD precautions are still required during the handling of this module. This transceiver is shipped in ESD protective packaging. It should be removed from the packaging and handled only in an ESD protected environment.

### 4.2. LASER SAFTY

This is a Class 1 Laser Product according to IEC 60825-1:1993:+A1:1997+A2:2001. This product complies with 21 CFR 1040.10 and 1040.11 except for deviations pursuant to Laser Notice No. 50, dated (July 26, 2001)

## 5. Order Information



## Further Information

For further information, please contact NEME.

Tel: 0086-400-966-4008

Fax: 0086-0755-86152561

Web: [www.nemengine.com](http://www.nemengine.com)

Add: 3/F, 20th Bldg. Guangqian Ind Zone. No.3 Longzhu Rd. Nanshan Dist. S.Z City, CHINA.

Shenzhen NEM Engine Technology Co., Ltd.

Tel: 0755-86005636

Fax: 0086-0755-86152561

E-mail: [info@nemengine.com](mailto:info@nemengine.com)

Web: [www.nemengine.com](http://www.nemengine.com)